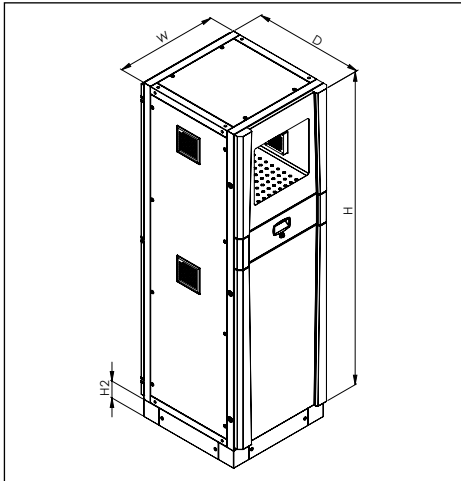




- Closed-system keyboard and mouse
- No dust-holding when keyboard and mouse used.
- Please see page 290 for technical drawings.



## PC CABINET

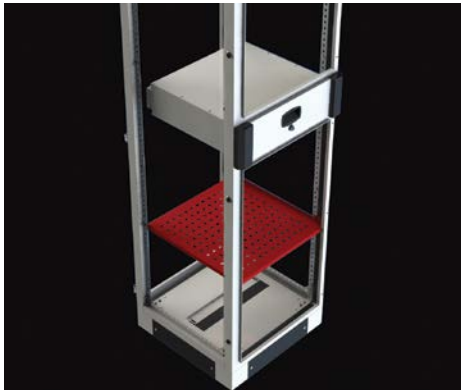


**Material** : Completely steel material : 1,50 mm mild steel + RAL 7035 coating  
 Front frame : RAL 9005 coating  
 Glass : 4 mm tempered glass

**IP Rate** : IP 55

**Supply includes** : 1 pcs body, openable back door, 2 pcs partial front doors, sliding keyboard part, 2 pcs fixed shelf, H100mm plinth, gland plate with foam, 4 pcs filters.

PRODUCT CODE	PC CABINET WIDTH (W)	PC CABINET HEIGHT (H+H2)	PC CABINET DEPTH (D)
406.186	600	1800+100	600
406.188	600	1800+100	800



### FIXED SHELF

**Material** : 1,50 mm mild steel + RAL 7035 coating

**Supply includes** : 1 pcs fixed shelf and screws

PRODUCT CODE	PC CABINET WIDTH (W)	PC CABINET DEPTH (D)
941.266	600	600
941.268	600	800

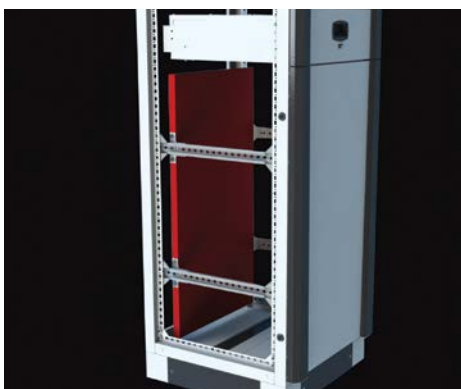


### MOVABLE SHELF

**Material** : 1,50 mm mild steel + RAL 7035 coating

**Supply includes** : 1 pcs shelf rail

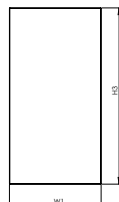
PRODUCT CODE	PC CABINET WIDTH (W)	PC CABINET DEPTH (D)
941.306	600	600
941.308	600	800



### MOUNTING PLATE

**Material** : 2 mm Galvanized steel

**Supply includes** : 1 pcs mounting plate



PRODUCT CODE	PLATE WIDTH (W1)	PLATE HEIGHT (H3)
942.308	490	585
942.310	490	940