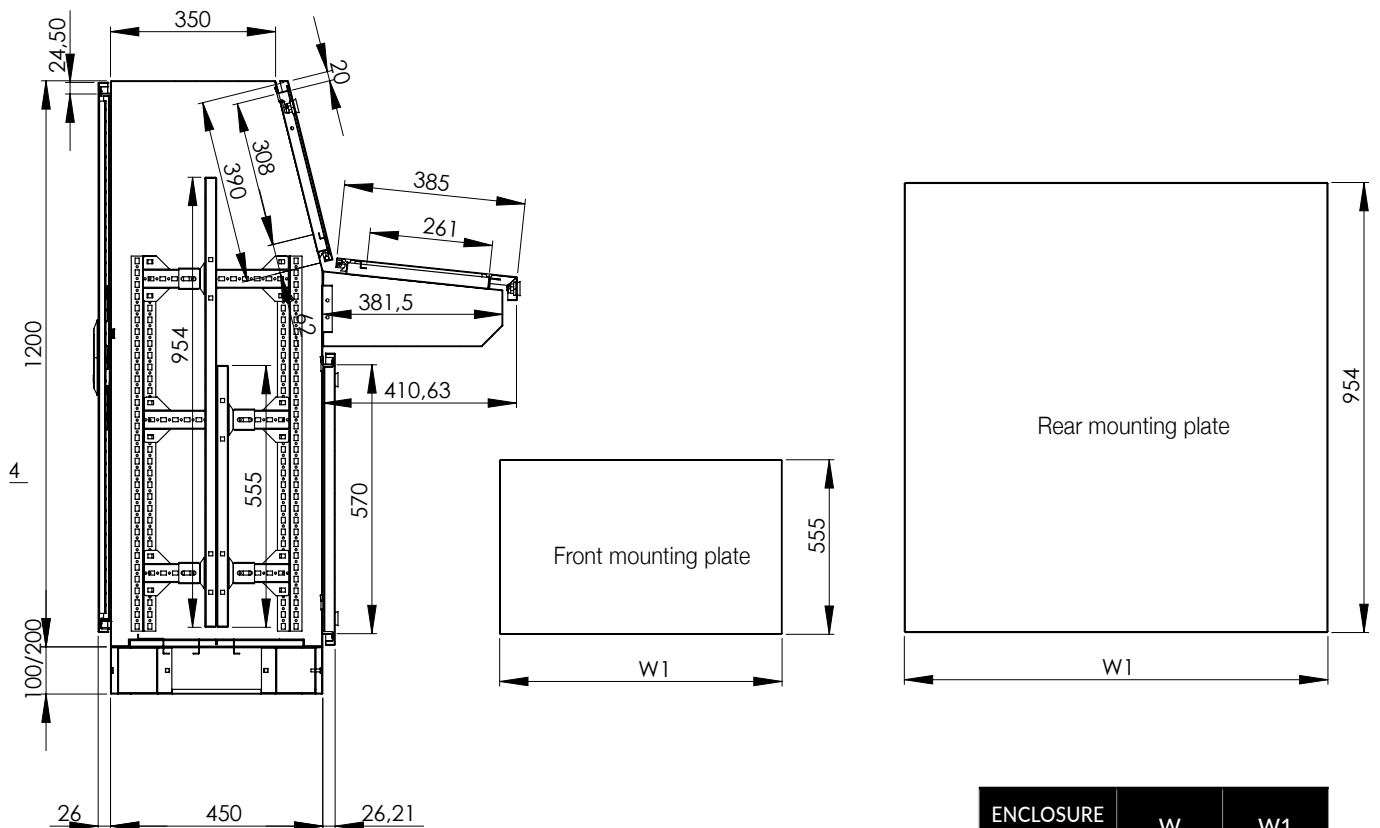
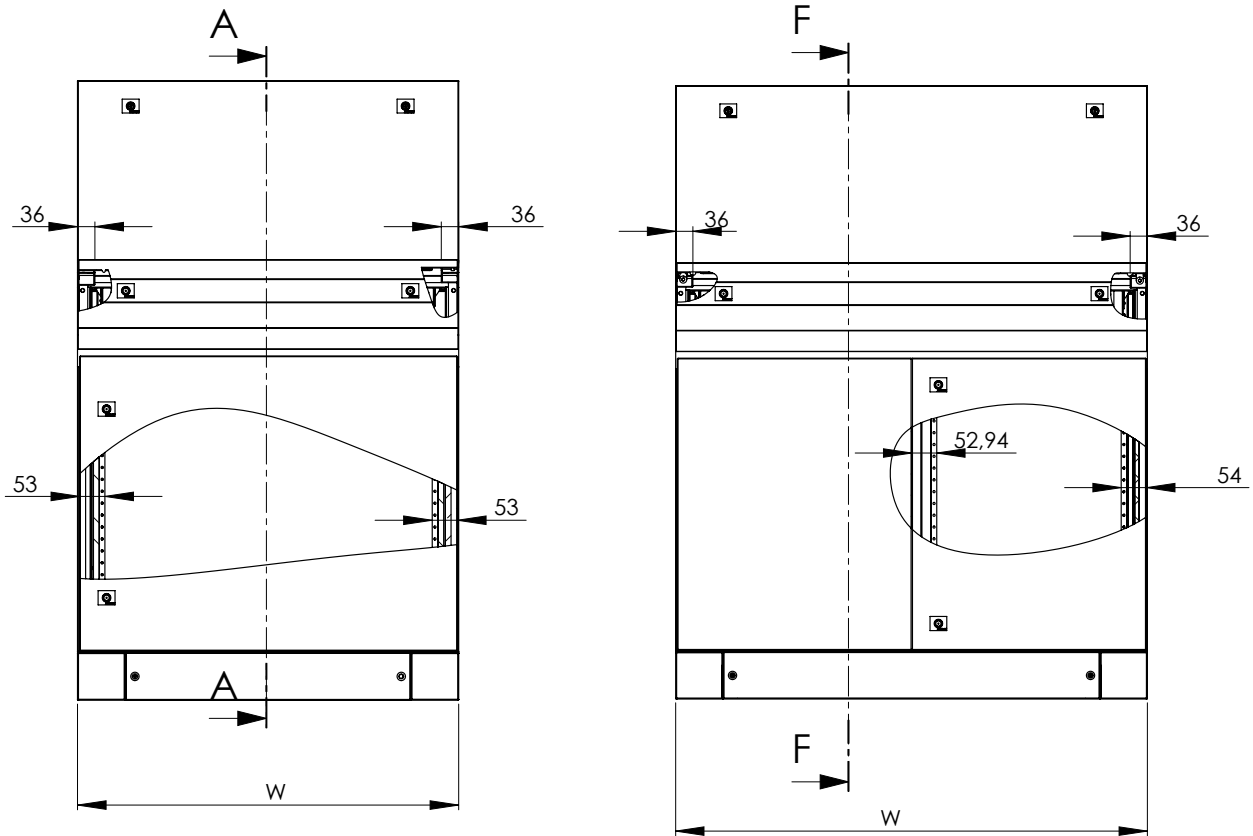


KMP-3000 SERIES



SECTION F-F
SCALE 1 : 10

ENCLOSURE WIDTH	W	W1
600	600	498
800	800	698
1000	1000	898
1200	1200	1098