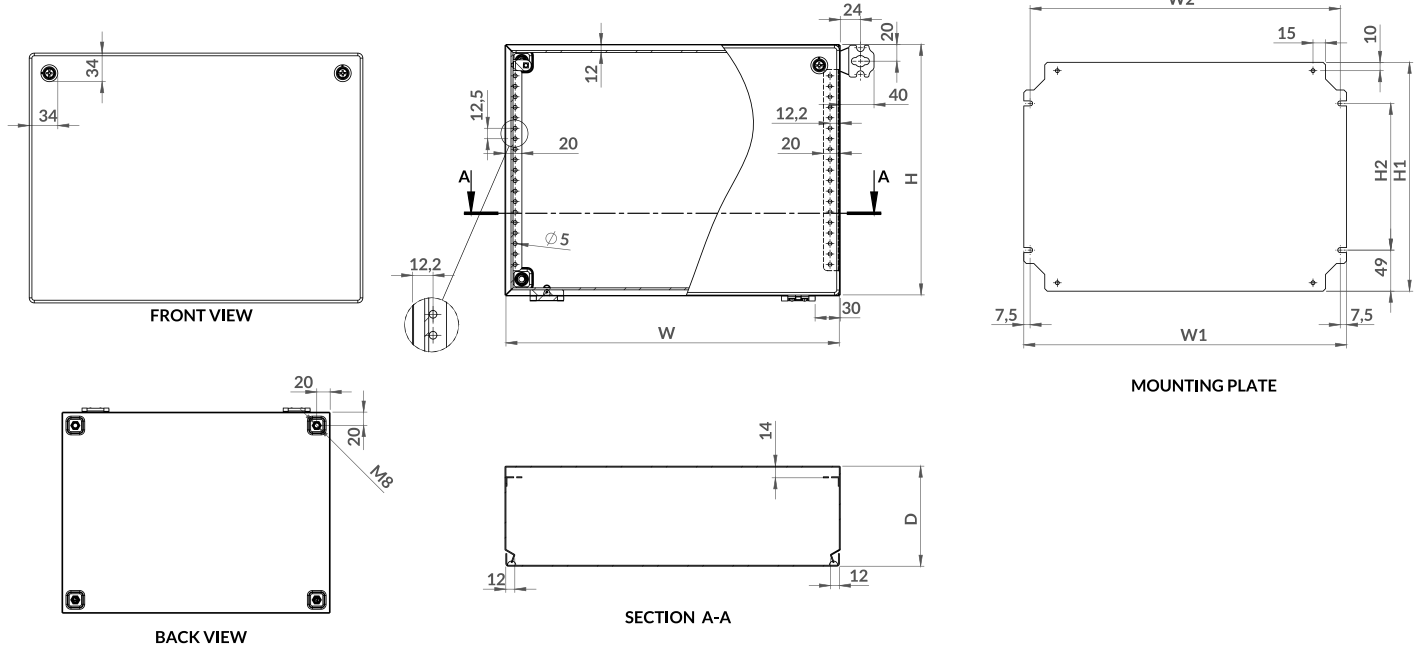
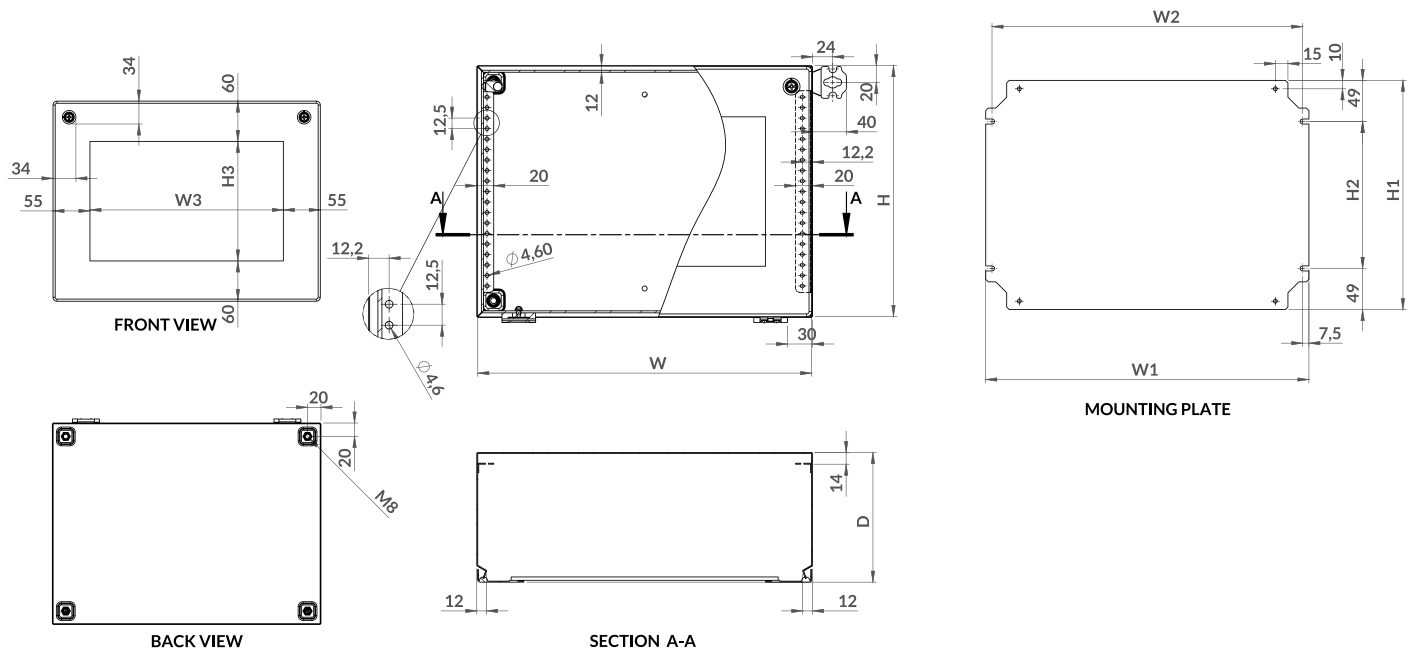


KT SOLID DOOR BUS BOX



ENCLOSURE WIDTH (W)	W1	W2	ENCLOSURE HEIGHT (H)	H1	H2	ENCLOSURE DEPTH (D)
400	385	370	200	173	25	155
600	585	570	300	273	175	
800	785	770	-	-	-	

KT GLAZED DOOR BUS BOX



ENCLOSURE WIDTH (W)	W1	W2	W3	ENCLOSURE HEIGHT (H)	H1	H2	H2	ENCLOSURE DEPTH (D)
400	385	370	288	200	173	25	78	155
600	585	570	488	300	273	75	178	
800	785	770	688	-	-	-	-	