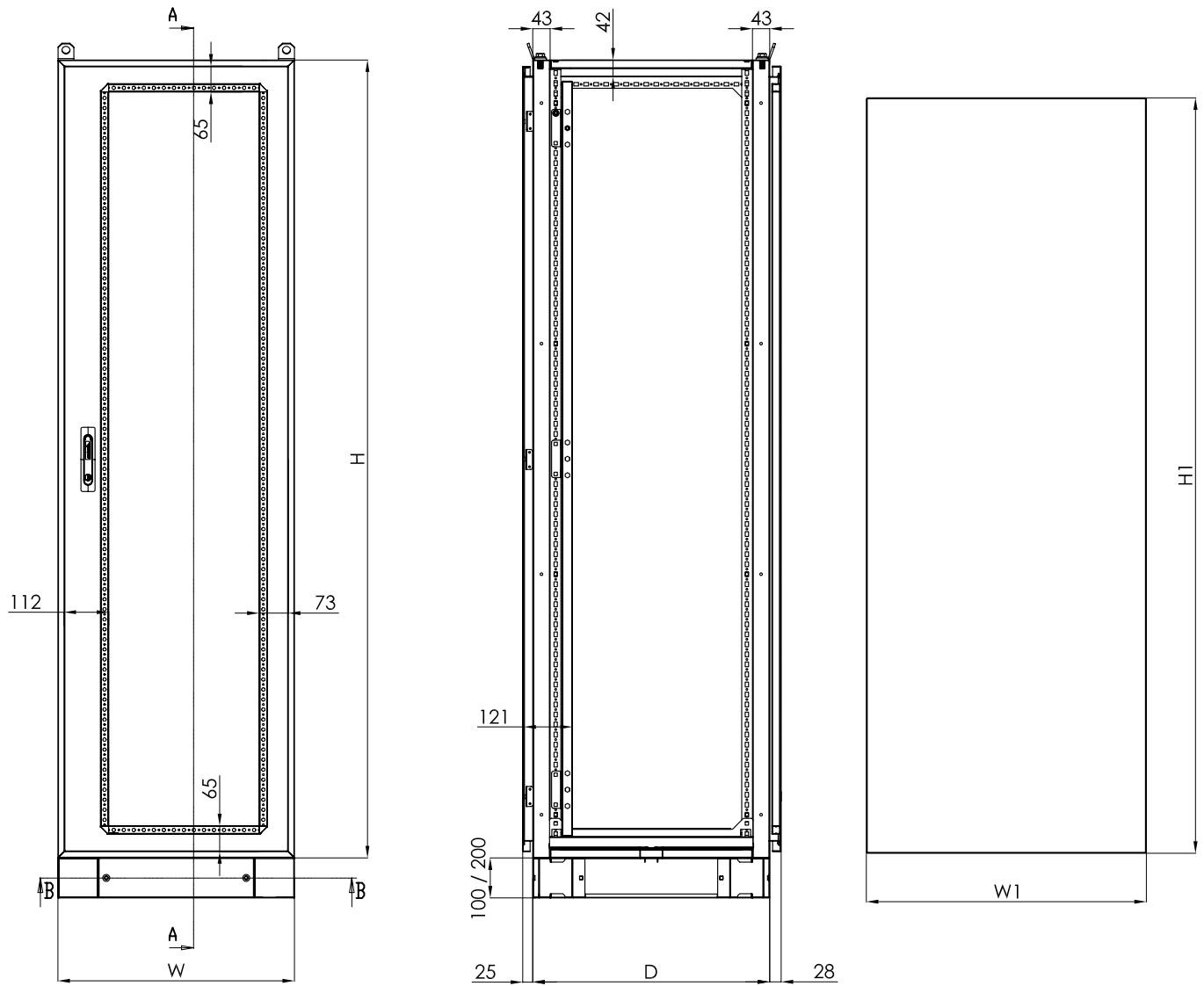


DT SERIES STAINLESS STEEL SINGLE DOOR



SECTION A-A

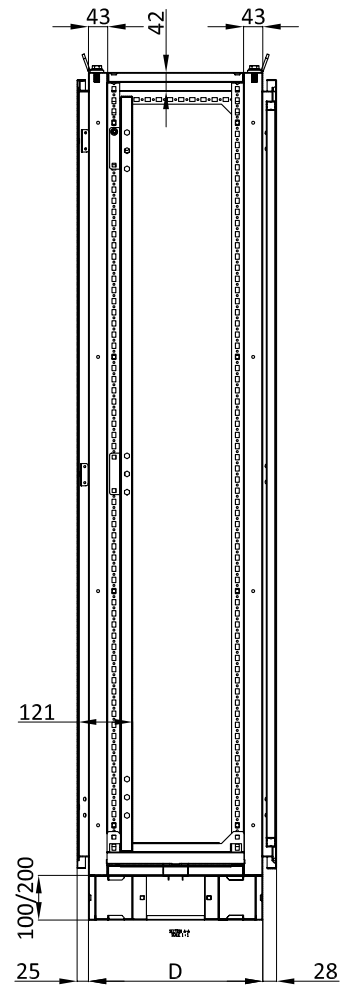
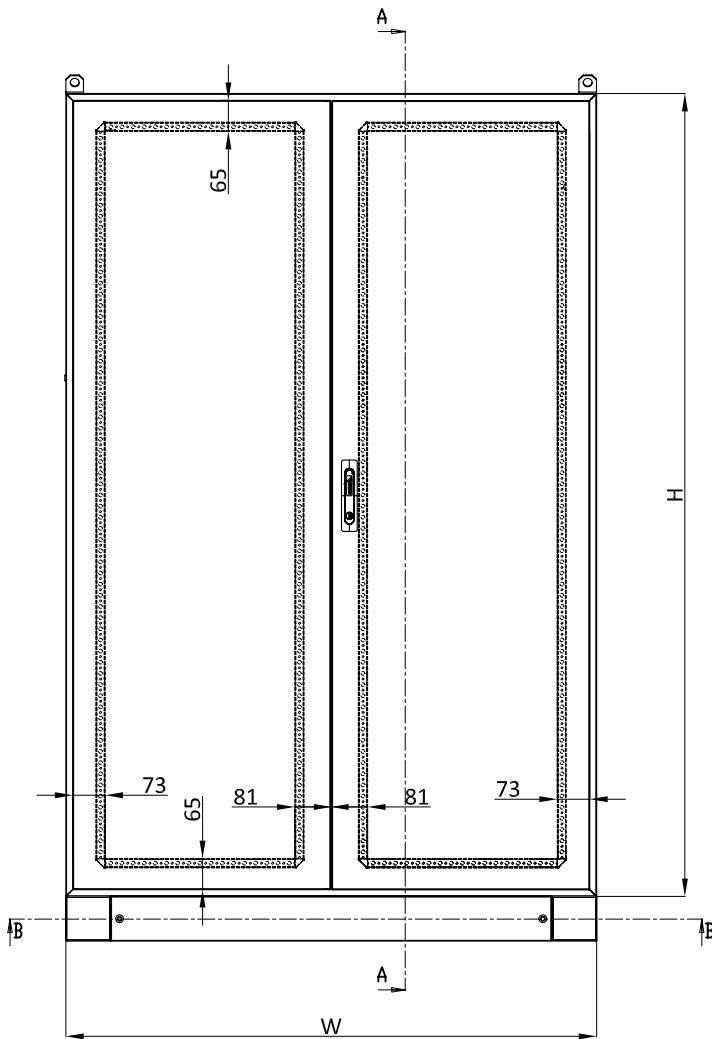
SECTION B-B

ENCLOSURE WIDTH	W	W1	W2
600	590	480	440
800	800	698	650
1000	990	888	840
1200	1190	1088	1040

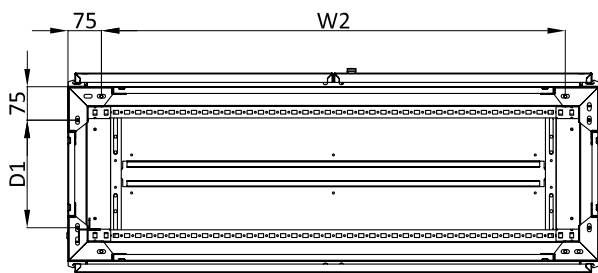
ENCLOSURE DEPTH	D	D2
400	390	420
500	490	340
600	590	440
800	790	640

ENCLOSURE HEIGHT	H	H1
1200	1190	1084
1600	1600	1494
1800	1800	1694
2000	1990	1884
2200	2200	2094

DT SERIES STAINLESS STEEL DOUBLE DOOR



SECTION A-A



ENCLOSURE WIDTH	W	W1	W2
600	590	480	440
800	800	698	650
1000	990	888	840
1200	1190	1088	1040

ENCLOSURE DEPTH	D	D2
400	390	420
500	490	340
600	590	440
800	790	640

ENCLOSURE HEIGHT	H	H1
1200	1190	1084
1600	1600	1494
1800	1800	1694
2000	1990	1884
2200	2200	2094