

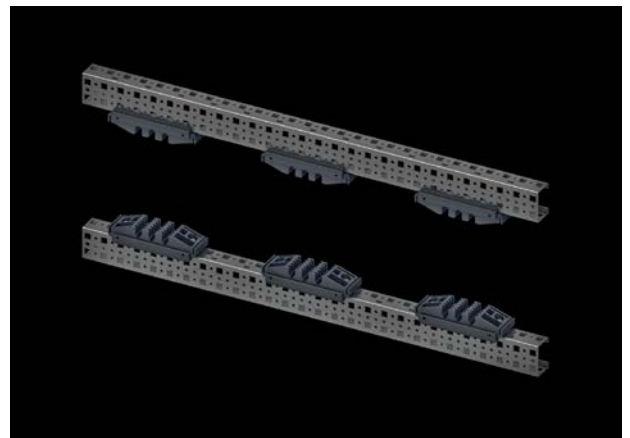
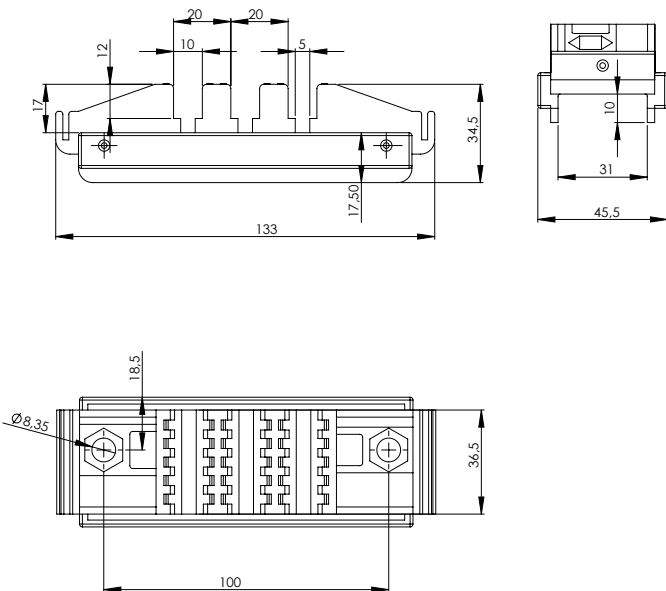
Material : Fibre-reinforced polyamid.

Supply includes : 2 pcs busbar support and combination screws.

Product Code : Plug in type: **600.001 (1 set: 2 pcs)**
Open type : **600.101 (1 set: 2 pcs)**

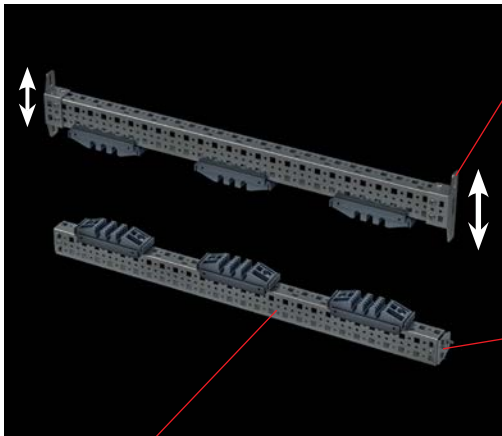
• Please see page 213 for application modes.

- Distance between the busbar supports can be adjusted with 25mm steps.
- Easy mounting.
- Cost-effective solution.
- Operating range between -40oC and +130oC.
- Halogen-free.
- Fire protection in line UL 94 VO standard.
- Applicable to 5-10mm busbar cross-sections.
- Applicable to 30-120mm busbar sizes.
- Used in applications between 400A-4500A.
- 3 pcs flat copper application.



ADJUSTABLE BUSBAR SUPPORT

APPLICATION - 1

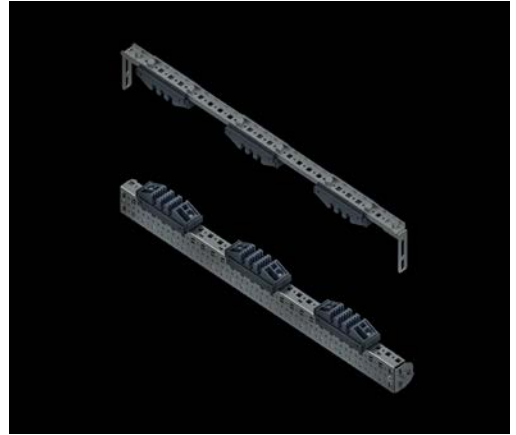


Adjustable Rail Bracket,
Type T, page 170

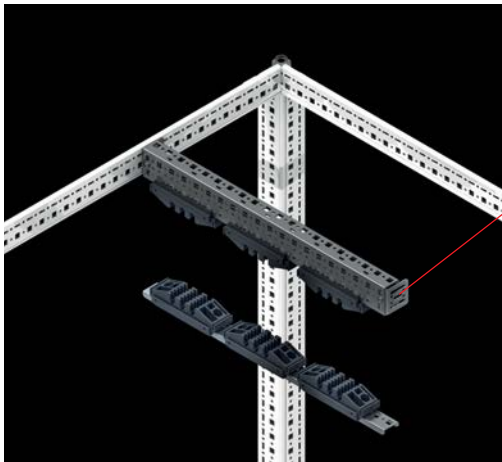
Plug-in Rail Bracket,
page 169

50x25 Scissile Rail page 167

APPLICATION - 2



APPLICATION - 3



Adjustable Rail Bracket,
Type L, page 171

Adjustable Rail Bracket,
Type L, page 171

APPLICATION - 4

