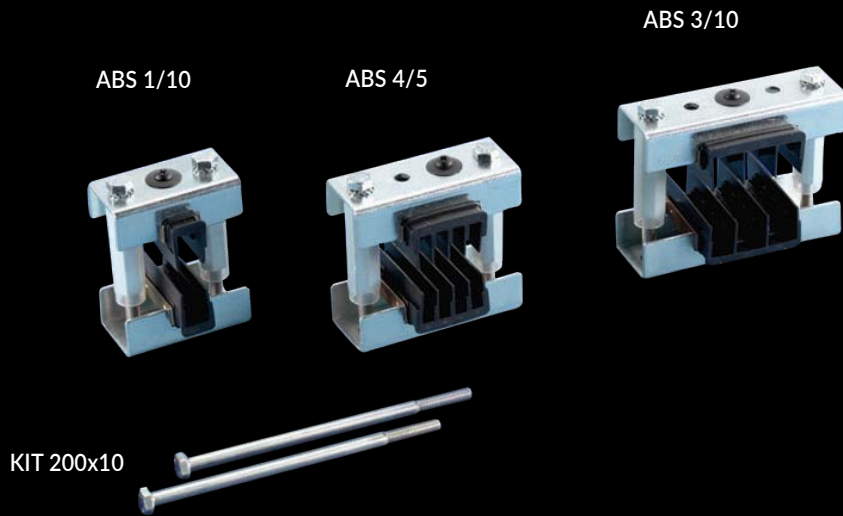


ADJUSTABLE BUSBAR SUPPORT (METAL SUPPORTED)

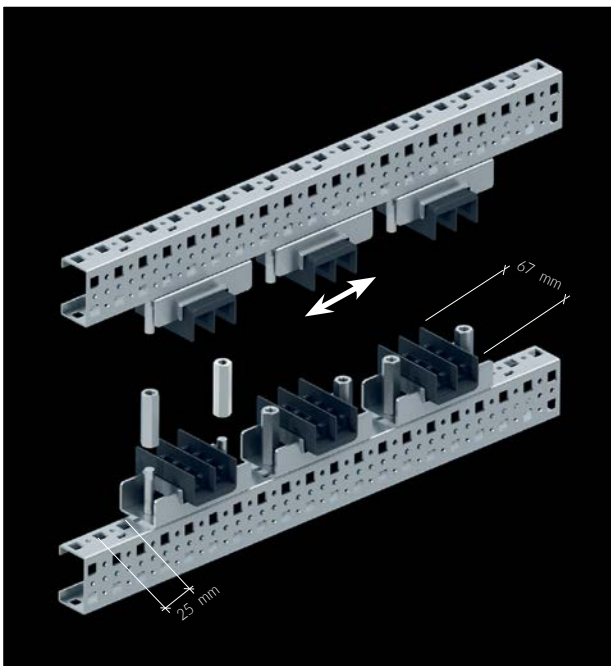


Material : Polyamide, glass fibre reinforced

Supply Includes : 1 set (2 pcs)

- Distance between the busbar supports can be adjusted with 25mm steps.
- Durable structure
- Operating range between -40°C and + 130°C

- Halogen-free
- Fire protection in line UL 94 VO standard.
- Applicable to 5-10mm busbar cross-sections
- Applicable to 50-200mm busbar sizes.
- 7400A °C damage can be applied.



PRODUCT CODE	FLAT BAR QTY	BUSBAR THICKNESS (mm)
560.860	1	5
560.870	4	5
560.880	1	10
560.890	2	10
560.900	3	10
ASSEMBLING KIT		
560.910	160x10 KIT	
560.920	200x10 KIT	