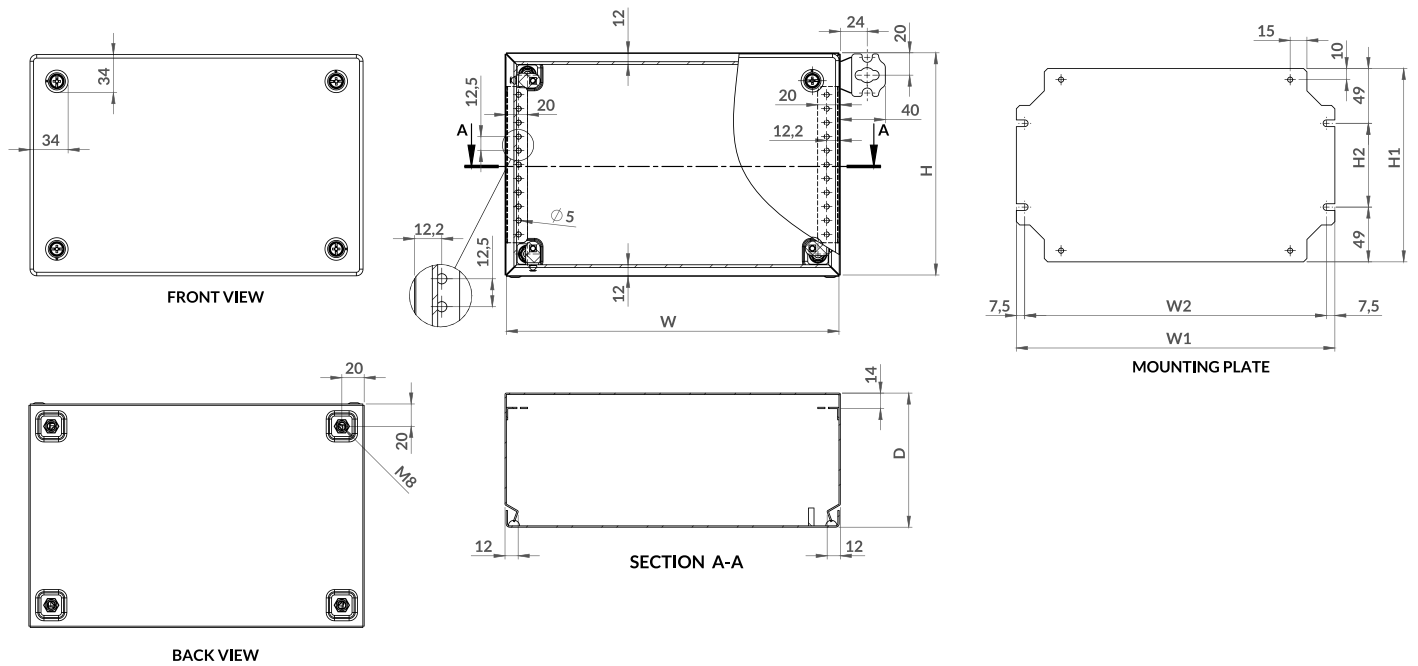
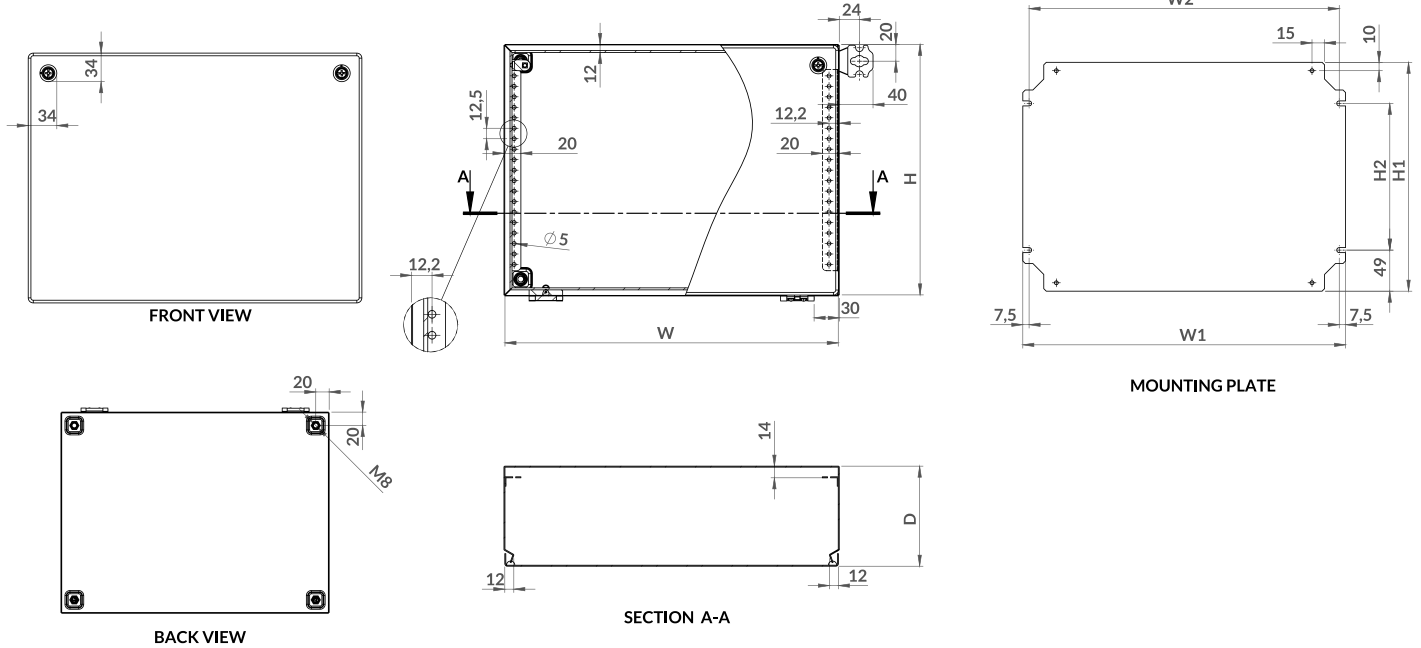


KT TERMINAL BOX



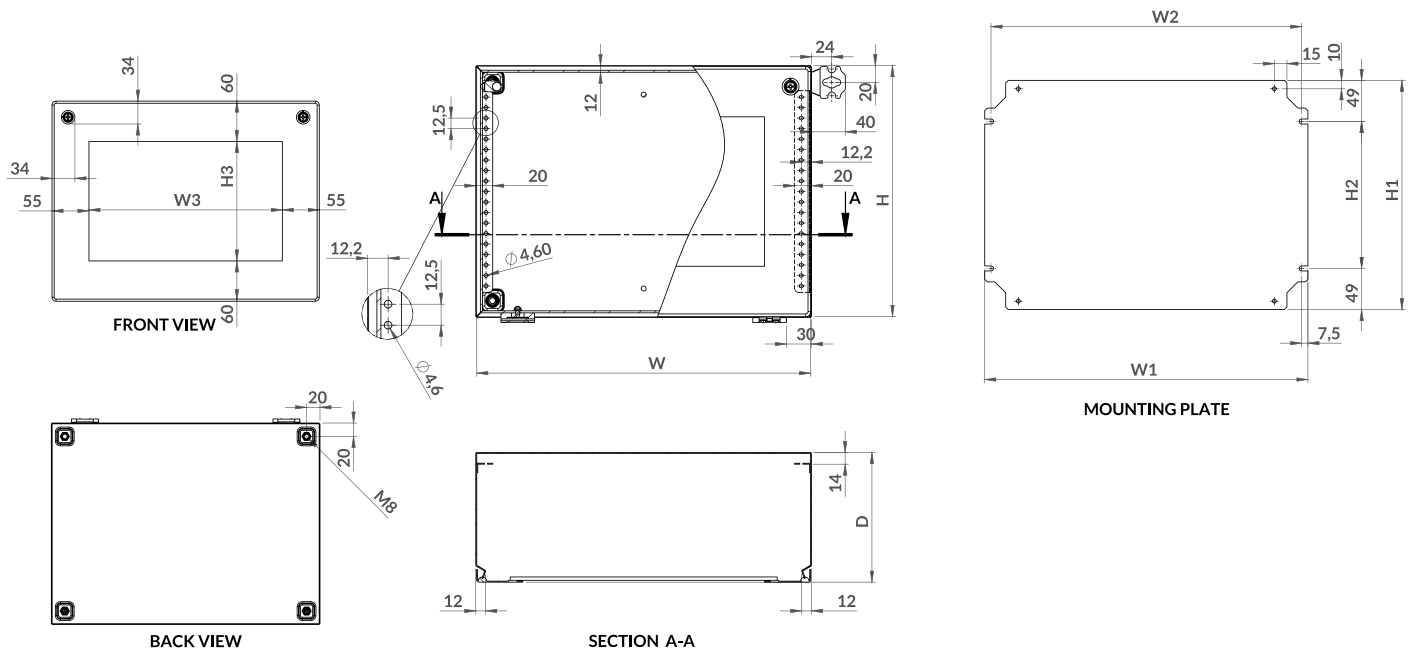
ENCLOSURE WIDTH (W)	W1	W2	ENCLOSURE HEIGHT (H)	H1	H2	ENCLOSURE DEPTH (D)
150	135	120	150	123	25	80
200	185	170	200	173	75	
300	285	270	300	273	175	120
400	385	370	400	373	275	
500	485	470				
600	585	570				
800	785	770				

KT SOLID DOOR BUS BOX



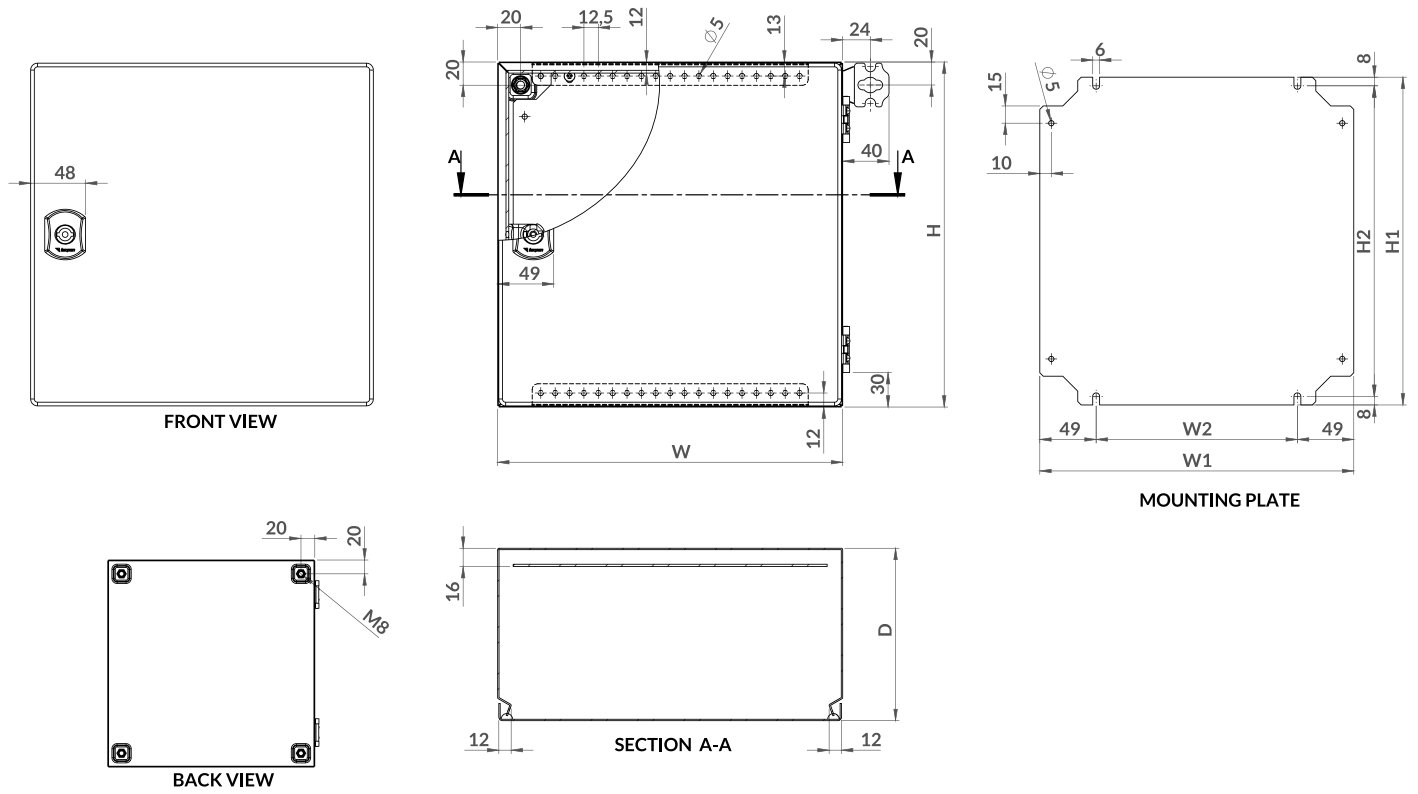
ENCLOSURE WIDTH (W)	W1	W2	ENCLOSURE HEIGHT (H)	H1	H2	ENCLOSURE DEPTH (D)
400	385	370	200	173	25	155
600	585	570	300	273	175	
800	785	770	-	-	-	-

KT GLAZED DOOR BUS BOX



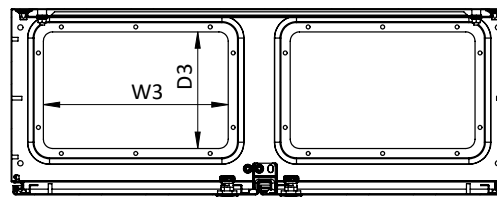
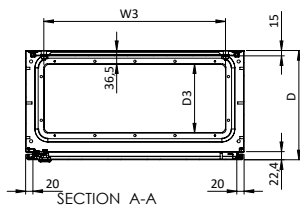
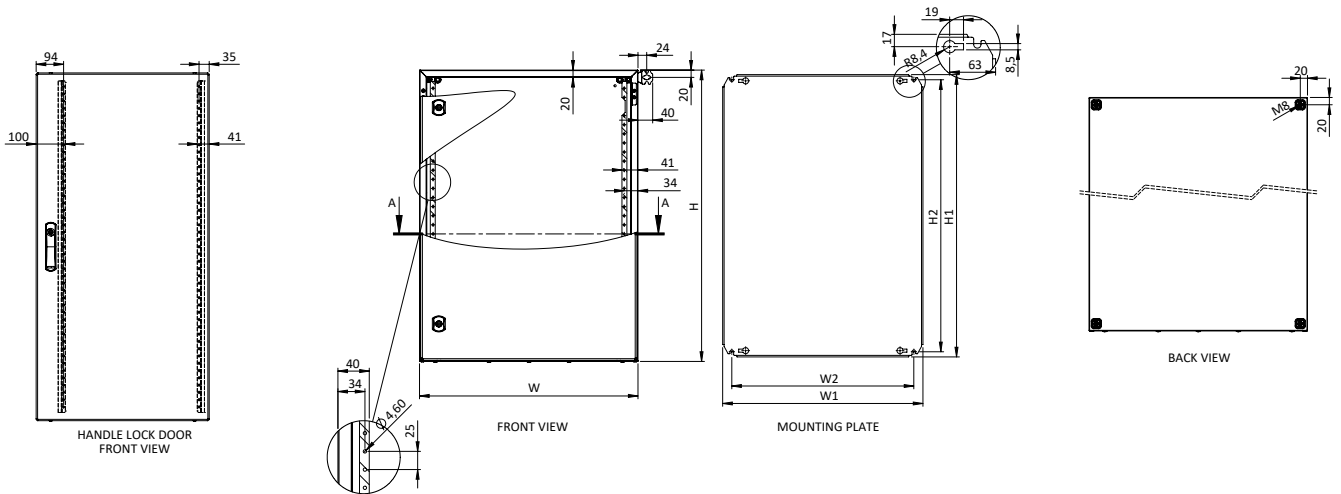
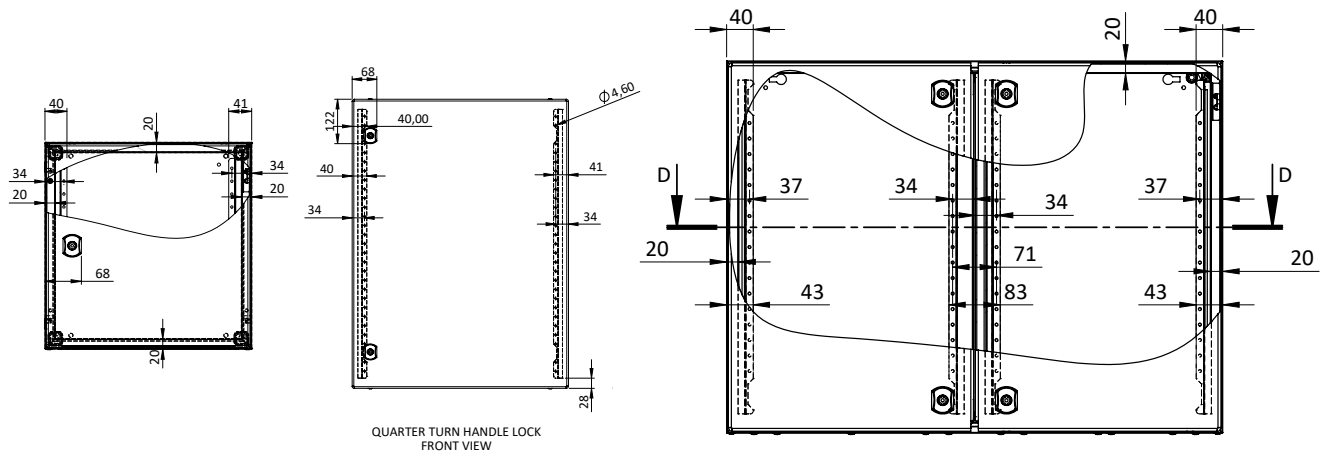
ENCLOSURE WIDTH (W)	W1	W2	W3	ENCLOSURE HEIGHT (H)	H1	H2	H2	ENCLOSURE DEPTH (D)
400	385	370	288	200	173	25	78	155
600	585	570	488	300	273	75	178	
800	785	770	688	-	-	-	-	-

DM-SMALL ENCLOSURE



ENCLOSURE WIDTH (W)	W1	W2	ENCLOSURE HEIGHT (H)	H1	H2	ENCLOSURE DEPTH (D)
200	185	75	200	173	170	150
250	235	125	250	223	220	
300	285	175	300	273	270	-
400	385	275	400	373	370	

DM-MEDIUM SOLID DOOR ENCLOSURE

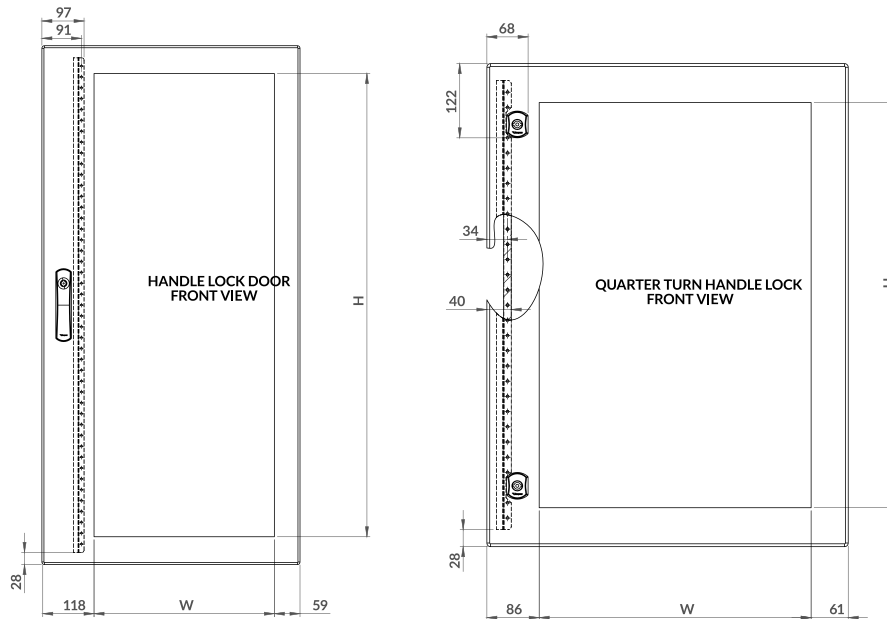


DM-MEDIUM DOUBLE-DOOR ENCLOSURE

ENCLOSURE WIDTH (W)	W1	W2	ENCLOSURE HEIGHT (H)	H1	H2	ENCLOSURE DEPTH (D)
250	200	150	300	275	247	150
300	250	200	350	325	297	210
400	350	300	400	375	347	260
500	450	400	500	475	447	300
600	550	500	600	575	547	400
800	750	700	700	675	647	-
-	-	-	800	775	747	-
-	-	-	1000	975	947	-
-	-	-	1200	1175	1147	-

DM-MEDIUM GLAND PLATE CUT-OUT DIMENSIONS			
ENCLOSURE WIDTH (W) x DEPTH (D)	W3 (mm)	D3 (mm)	NUMBER OF GLAND PLATES
300x210	200	115	1
400x210	300	115	1
400x260	300	115	1
400x300	300	190	1
500x210	400	115	1
500x260	400	115	1
500x300	400	190	1
600x210	500	115	1
600x260	500	115	1
600x300	500	190	1
600x400	500	190	1
800x210	300	115	2
800x260	300	115	2
800x300	300	115	2

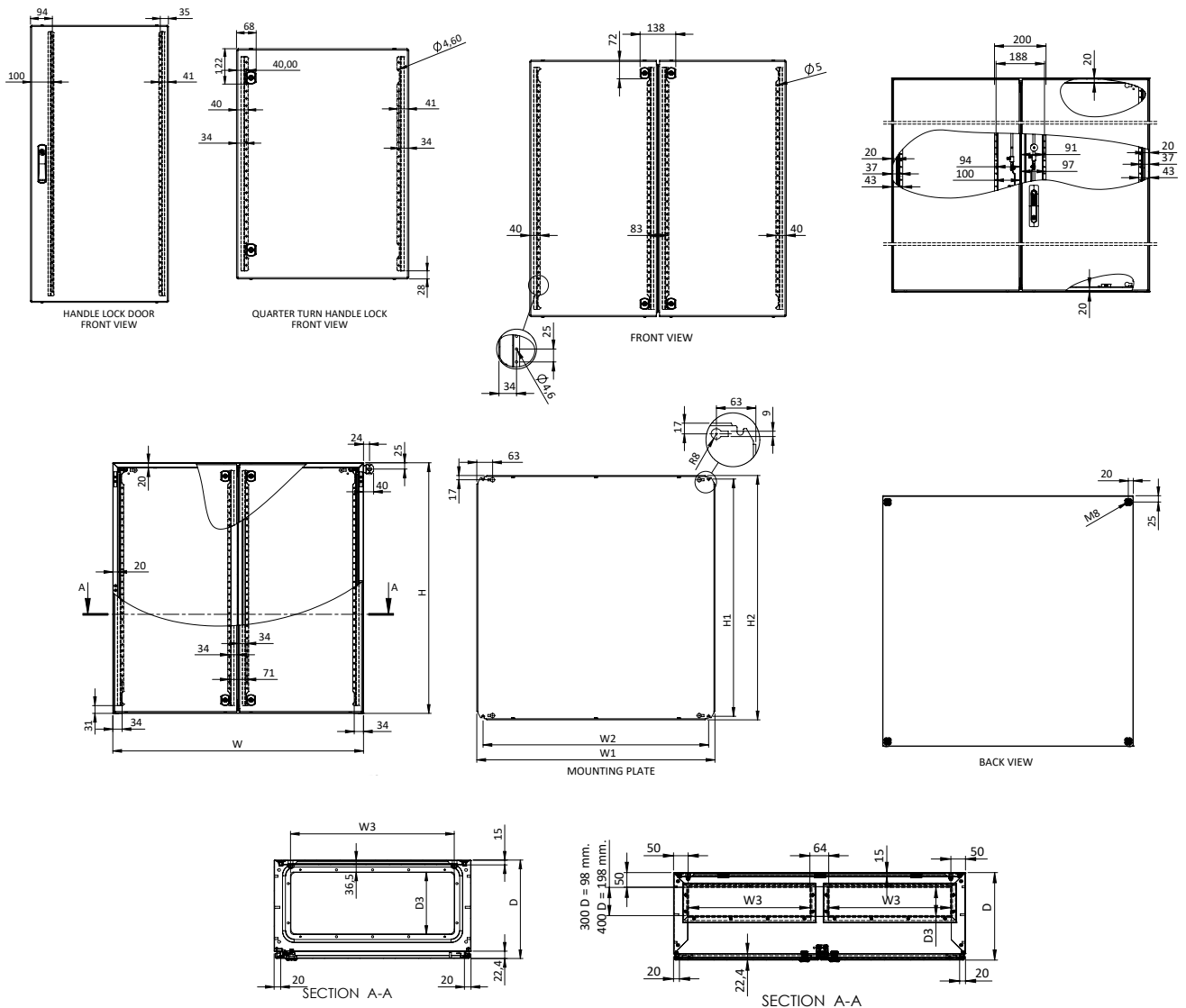
DM-MEDIUM GLAZED DOOR ENCLOSURE



ENCLOSURE WIDTH (W)	ENCLOSURE HEIGHT (H)	W	H
400	500	247	366
400	600	247	466
500	600	347	466
500	700	347	566
600	600	447	466
600	800	447	666
600	1000	447	866
600	1200	415	1066
800	1000	647	866
800	1200	615	1066

DM-MEDIUM GLAND PLATE CUT-OUT DIMENSIONS			
ENCLOSURE WIDTH (W) x DEPTH (D)	W3 (mm)	D3 (mm)	NUMBER OF GLAND PLATES
400x210	300	115	1
400x260	300	115	1
400x300	300	190	1
500x210	400	115	1
500x260	400	115	1
500x300	400	190	1
600x210	500	115	1
600x260	500	115	1
600x300	500	190	1
600x400	500	190	1
800x210	300	115	2
800x260	300	115	2
800x300	300	115	2

DM-LARGE SOLID DOOR ENCLOSURE



ENCLOSURE WIDTH (W)	W1	W2	ENCLOSURE HEIGHT (H)	H1	H2	ENCLOSURE DEPTH (D)
600	550	500	800	775	747	300
800	750	700	1000	975	947	
1000	950	900	1200	1175	1147	
1200	1150	1100	1400	1375	1347	400

DM-LARGE GLAND PLATE CUT-OUT DIMENSIONS			
ENCLOSURE WIDTH (W) x DEPTH (D)	W3 (mm)	D3 (mm)	NUMBER OF GLAND PLATES
600x400	500	199	1
800x400	700	199	1
1000x300	418	99	2
1000x 400	418	199	2
1200x300	518	99	2
1200x400	518	199	2