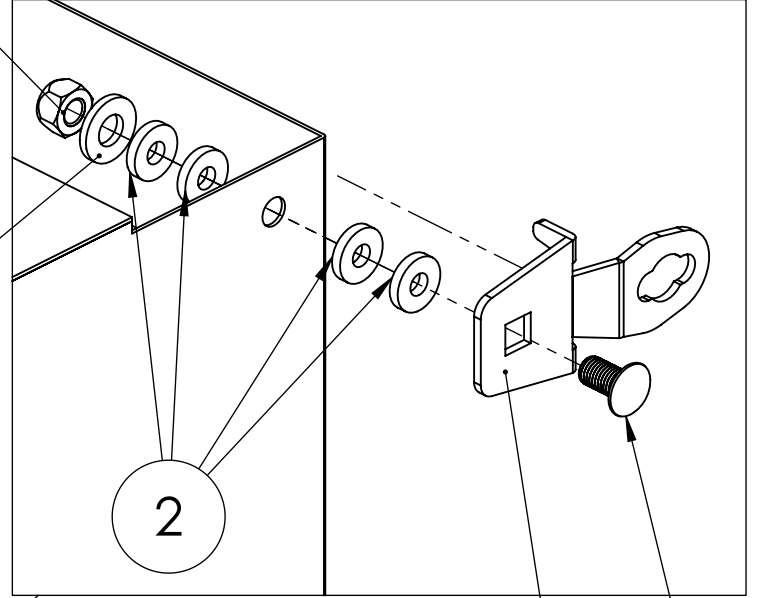


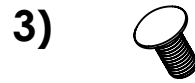
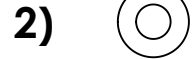
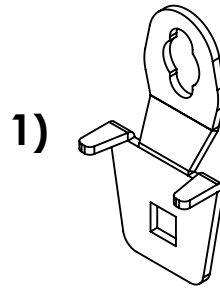
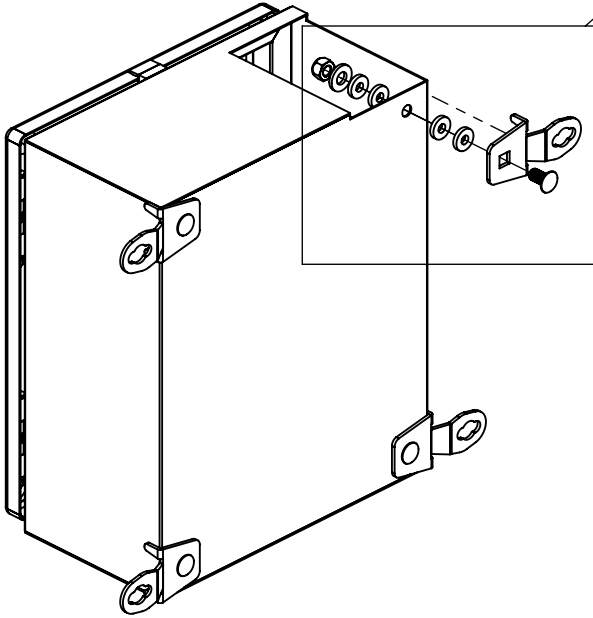
304-316 STAINLESS STEEL ENCLOSURE WALL BRACKET MOUNTING 304-316 PASLANMAZ PANO DUVAR TUTUCU MONTAJ



Ø8,5



MA = 10 + 1Nm



	DUVAR TUTUCU 975.001 WALL BRACKET CONTENT	MİKTAR PIECES
1	SS316 BRACKET / BRAKET	4
2	Ø16X8 CONTA/ SEALING	16
3	M8X15 INOX	4
4	M8 - INOX	4
5	M8 - INOX	4